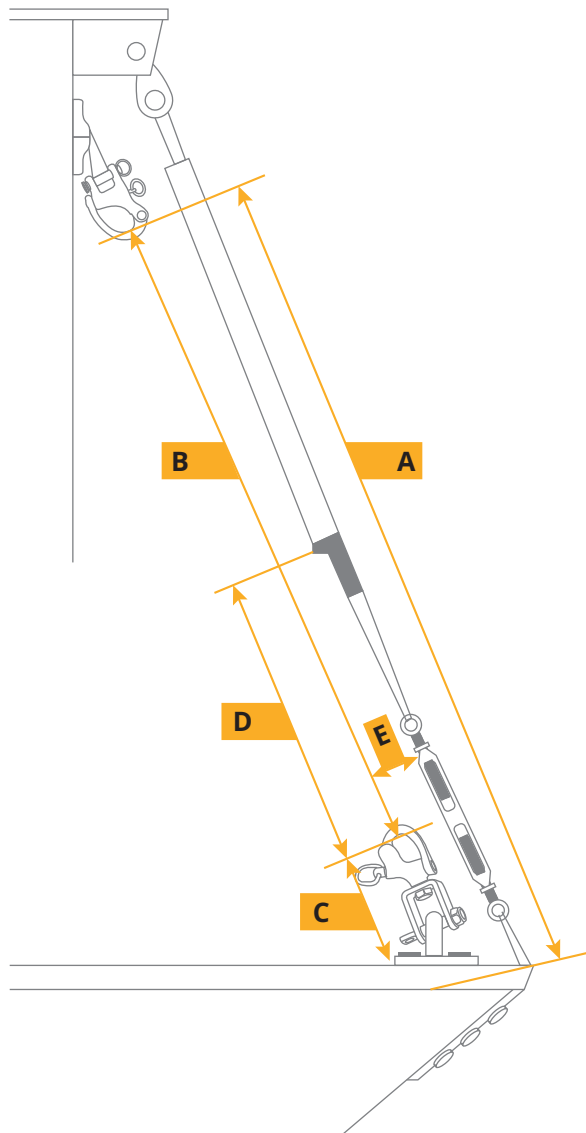


NON FURLING HEADSAIL MEASUREMENT FORM

FORM 1 OF 4



DESCRIPTIONS OF MEASUREMENTS

- A: Hoist the headsail halyard to max Luff down to lowest forestay point on bow.
- B: Hoist the headsail halyard to max Luff down to top of the tack attachment point.
- C: From deck at forestay to bearing point of tack attachment point.
- D: From tack attachment point to sail entry.
- E: From Forestay to bearing point of tack attachment point.



www.hydesails.co.uk

PERSONAL INFO

Customers Name:

Tel Number:

Email Address:

Boat Type:

Boat Name:

Sail Number:

NON FURLING HEADSAIL MEASUREMENTS

A (mm):

B (mm):

C (mm):

D (mm):

E (mm):

*All measurement must be supplied in millimetres

NON FURLING HEADSAIL MEASUREMENT FORM

FORM 2 OF 4



www.hydesails.co.uk

NON FURLING HEADSAIL MEASUREMENTS

F (mm):

G (mm):

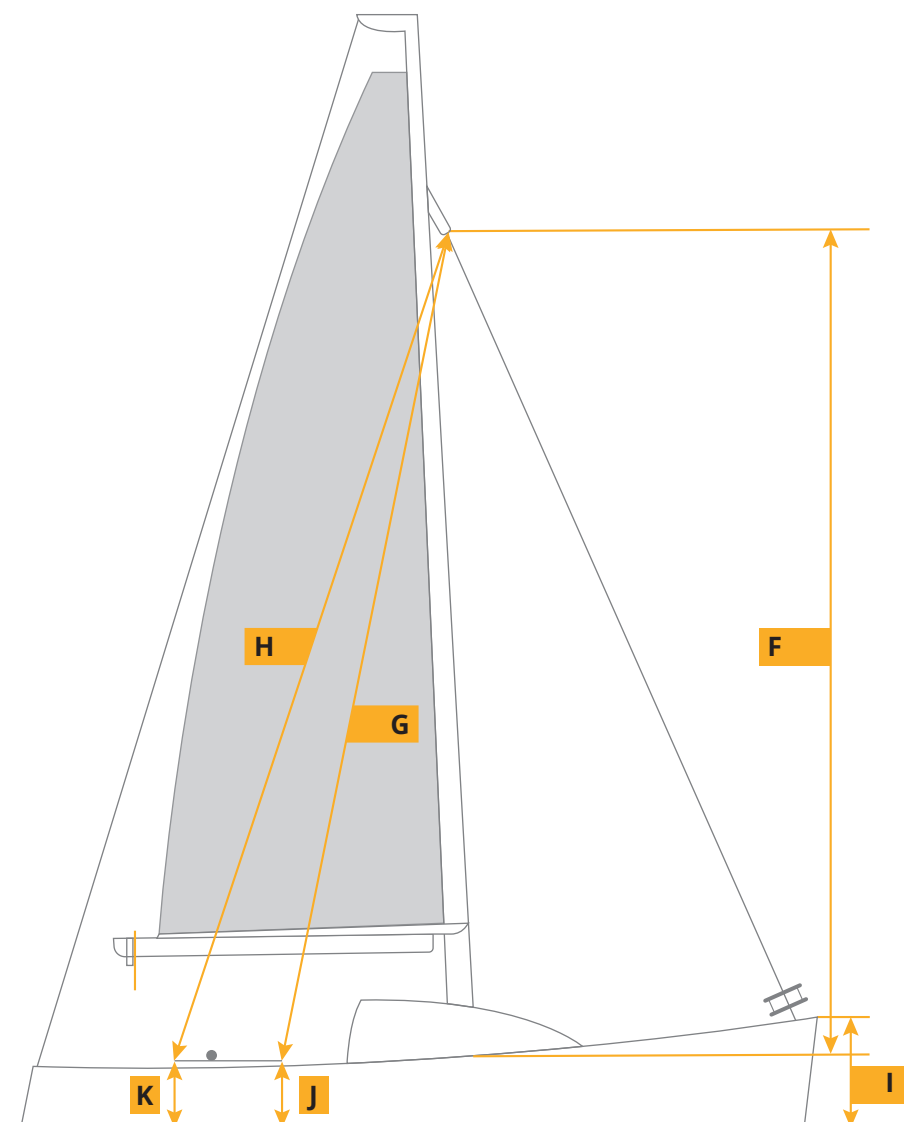
H (mm):

I (mm):

J (mm):

K (mm):

Notes



DESCRIPTIONS OF MEASUREMENTS

- F: Hoist the headsail halyard to max Luff and measure down to side deck by mast.
- G: Hoist the headsail halyard to max Luff and measure down to most forward car position
- H: Hoist the headsail halyard to max Luff and measure down to most aft car position
- I: From Forestay pin at bow down to water line
- J: From front of track on side deck down to water line
- K: From back of track on side deck down to waterline

*All measurement must be supplied in millimetres

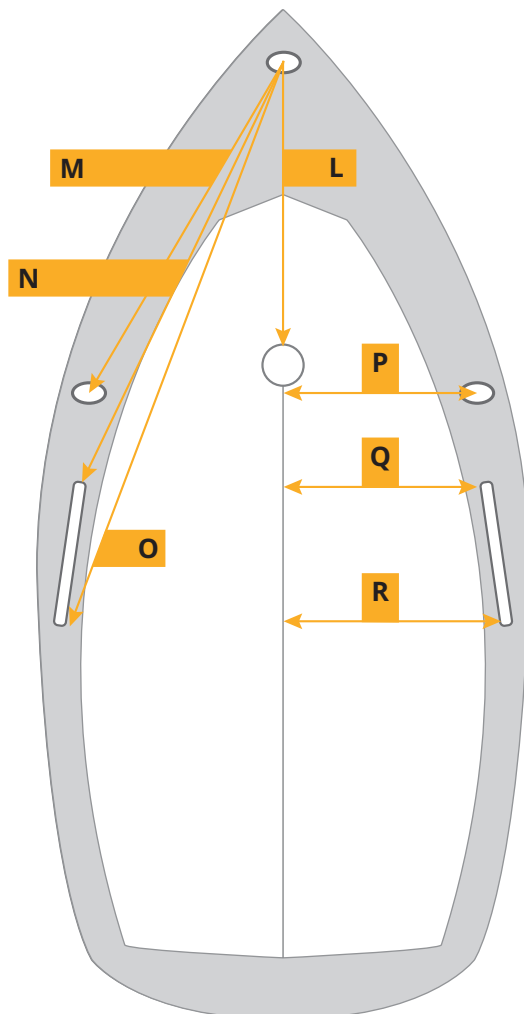
NON FURLING HEADSAIL MEASUREMENT FORM

FORM 3 OF 4



www.hydesails.co.uk

NON FURLING HEADSAIL MEASUREMENTS



L (mm):

M (mm):

N (mm):

O (mm):

P (mm):

Q (mm):

R (mm):

Notes

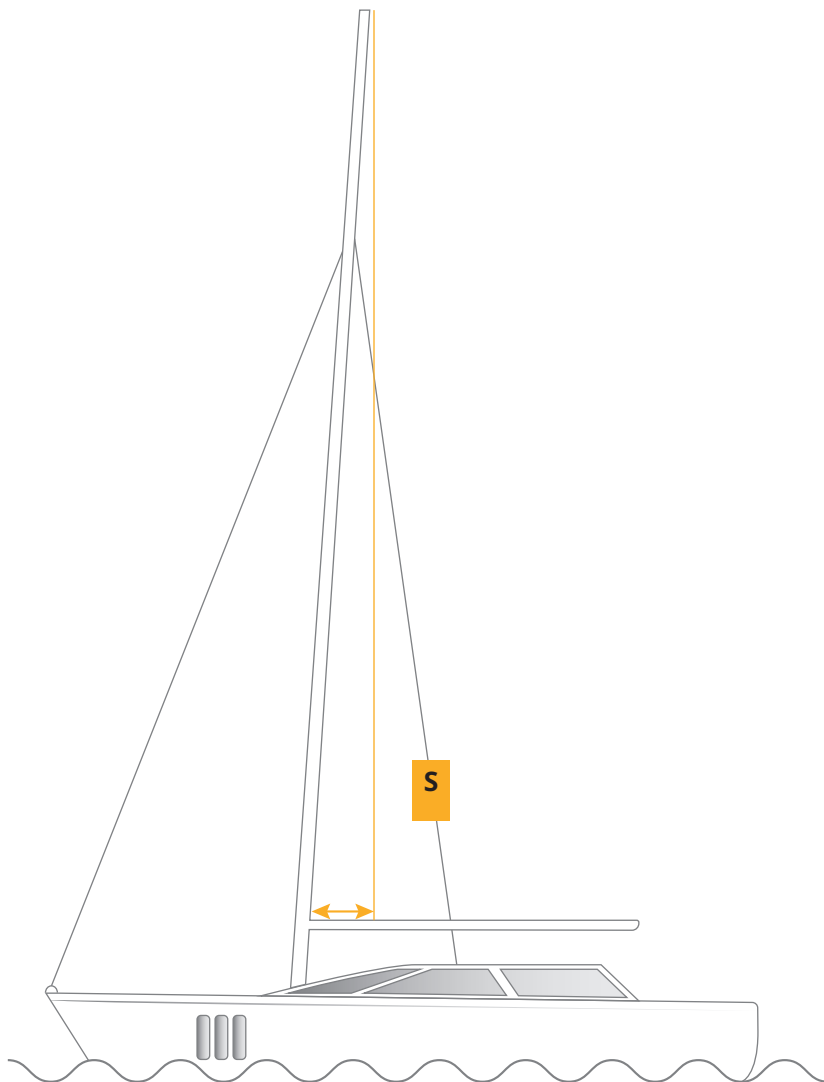
DESCRIPTIONS OF MEASUREMENTS

- L: Forestay pin at deck to front face of mast
- M: From Tack position to lower/shroud at deck
- N: From Tack position to most forward car position on track
- O: From Tack position to most aft car position on track.
- P: From centre line to shroud
- Q: From centre line to front of track
- R: From center line to back of track

*All measurement must be supplied in millimetres

NON FURLING HEADSAIL MEASUREMENT FORM

FORM 4 OF 4



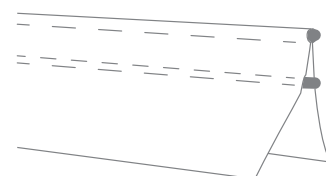
www.hydesails.co.uk

NON FURLING MEASUREMENTS

S (mm):

S = Clip something heavy (like a Bucket) to the Mainsail halyard just under boom and measure from aft face of mast to halyard on top of boom.

Luff Tapes



DESCRIPTIONS OF MEASUREMENTS OF LUFF TAPE SIZES

	HLT5:	Finished diameter between 4.5mm- 4.7mm
	HLT5H:	Finished diameter between 4.7mm- 5mm
	HLT55:	Finished diameter between 5.1mm- 5.3mm
	HLT55H:	Finished diameter between 5.4mm- 5.6mm
	HLT6:	Finished diameter between 5.8mm- 6.1mm
	HLT6H:	Finished diameter between 6mm- 6.2mm
	HLT7:	Finished diameter between 6.9mm- 7.0mm

Notes

*All measurement must be supplied in millimetres