

CRUISING CHUTE FULL HOIST TO END OF BOWSPRIT MEASUREMENT FORM



www.hydesails.co.uk

PERSONAL INFO

Customers Name:

Tel Number:

Email Address:

Boat Type:

Boat Name:

Sail Number:

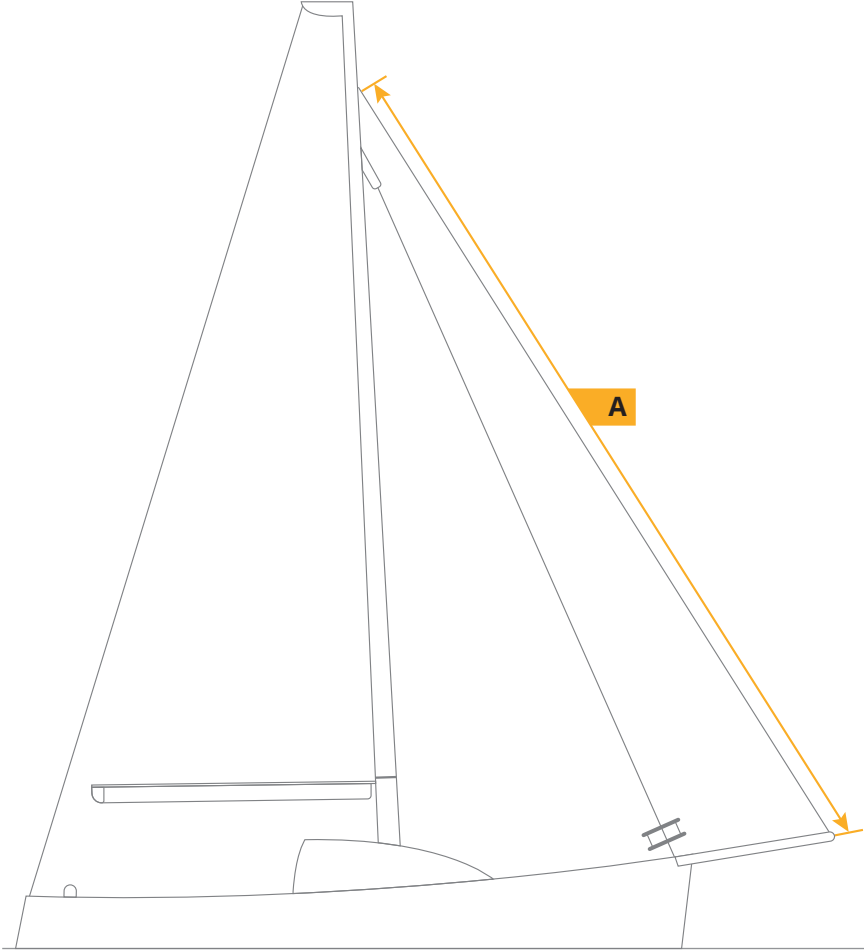
**ASYMMETRIC / CODE 0
MEASUREMENTS**

A (mm):

B (mm):

C (mm):

D (mm):



DESCRIPTIONS OF MEASUREMENTS

A: Cruising Chute full hoist to end of Pole

*All measurement must be supplied in millimetres

Notes

CRUISING CHUTE FULL HOIST TO STEM HEAD MEASUREMENT FORM



www.hydesails.co.uk

PERSONAL INFO

Customers Name:

Tel Number:

Email Address:

Boat Type:

Boat Name:

Sail Number:

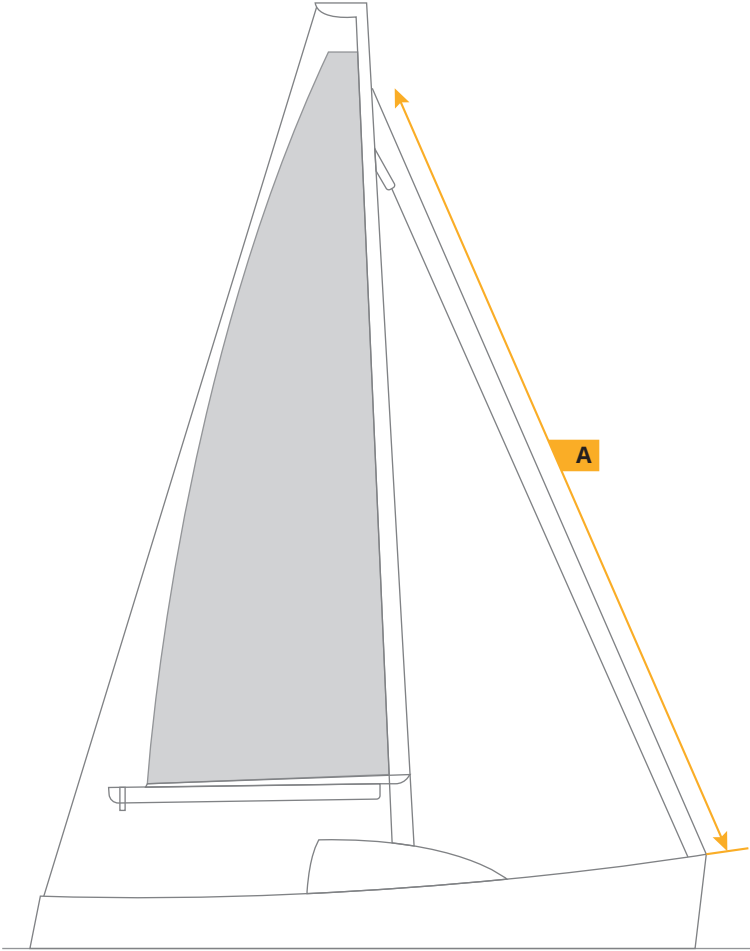
**ASYMMETRIC / CODE 0
MEASUREMENTS**

A (mm):

B (mm):

C (mm):

D (mm):



DESCRIPTIONS OF MEASUREMENTS

A: Cruising chute full hoist to stem head fitting

*All measurement must be supplied in millimetres

Notes

CRUISING CHUTE FULL HOIST TO TOP OF PULL PIT MEASUREMENT FORM



www.hydesails.co.uk

PERSONAL INFO

Customers Name:

Tel Number:

Email Address:

Boat Type:

Boat Name:

Sail Number:

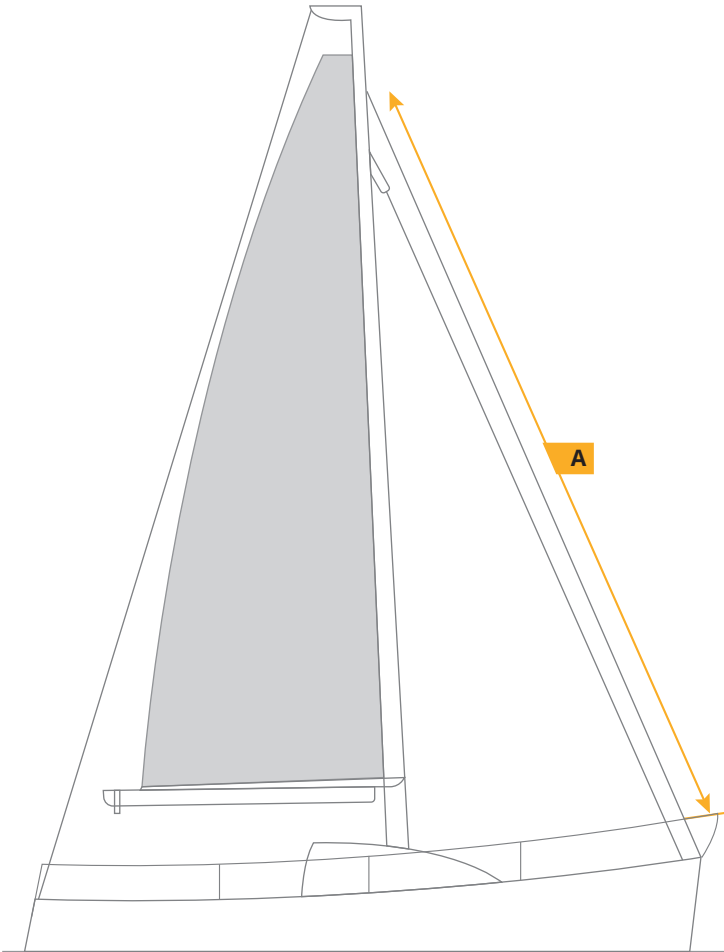
**ASYMMETRIC / CODE 0
MEASUREMENTS**

A (mm):

B (mm):

C (mm):

D (mm):



DESCRIPTIONS OF MEASUREMENTS

A: Cruising chute full hoist to top of the Pull pit

*All measurement must be supplied in millimetres

Notes